

Data Sheet

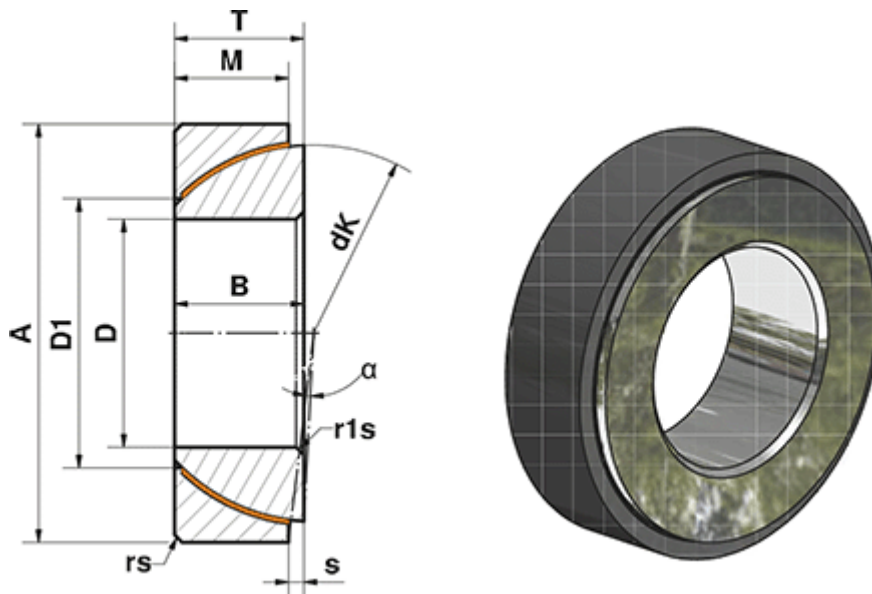


Article number: 03449060

Description: Fluro Heavy Duty Spherical Plain Bearing GE 60 SWE
Hole Ø60

Note: 60

Measures



A	= 95	rs, r1s min	= 1.1
a (degrees)	= 2.5	S	= 5.7
B	= 23	Static load C0 (kN)	= 784
D	= 60	T	= 23
D1	= 70	Weight (g)	= 714
dK	= 88.5		
Dynamic load C (kN)	= 470		
M	= 21		